

Mini PC



User Manual

Before You Begin

⚠ CAUTIONS

The procedures in this user guide assume familiarity with the general terminology associated with personal computers and with the safety practices and regulatory compliance required for using and modifying electronic equipment.

Disconnect the computer from its power source and from any telecommunications link or network before performing any of the procedures described in this guide. Failure to disconnect power, telecommunications links, or networks before you open the computer or perform any procedures can result in personal injury or equipment damage. Some circuitry on the board can continue to operate even though the front panel power button is off.

Follow these guidelines before you begin:

- Always follow the steps in each procedure in the correct order.
- Set up a log to record information about your computer, such as model, serial numbers, installed options, and configuration information.
- Electrostatic discharge (ESD) can damage components. Perform the procedures described in this chapter only at an ESD workstation using an antistatic wrist strap and a conductive foam pad. If such a station is not available, you can provide some ESD protection by wearing an antistatic wrist strap and attaching it to a metal part of the computer chassis.

Installation Precautions

When you install and test the Mini PC, observe all warnings and cautions in the installation instructions.

To avoid injury, be careful of:

- Sharp pins on connectors
- Sharp pins on circuit boards
- Rough edges and sharp corners on the chassis
- Hot components (such as processors, voltage regulators, and heat sinks)
- Damage to wires that could cause a short circuit

Observe all warnings and cautions that instruct you to refer computer servicing to qualified technical personnel.

Observe Safety and Regulatory Requirements

If you do not follow these instructions, you increase your safety risk and the possibility of noncompliance with regional laws and regulations.

This guide tells you how to:

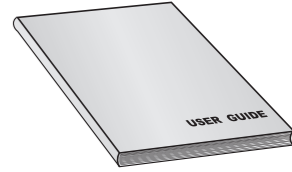
- Package contents
- Getting to know your Mini PC
- Attach and Use the VESA bracket
- Start up your Mini PC

Package Contents

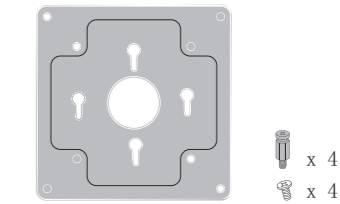
Congratulations on your purchase of Mini PC. The following items come with your package. Please check and if any of them is damaged or missing, please contact your retailer.



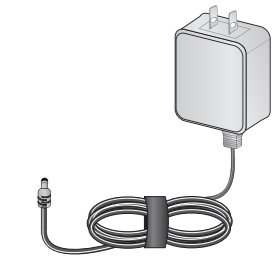
The Mini PC



User Manual



Vesa Bracket & Screws

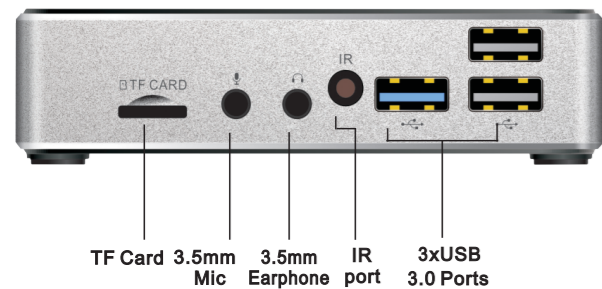
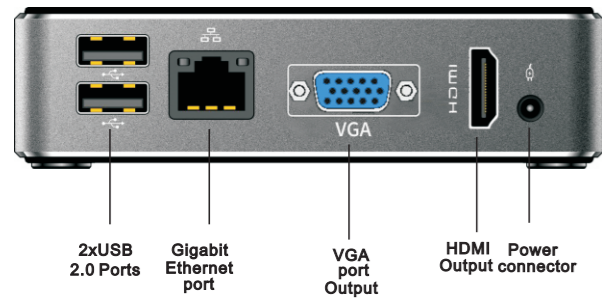


Power Adaptor
(Various Plug Pin available)

⚠ CAUTIONS

When installing a Mini PC, ensure that the adaptor is fully seated in the connector before you power on the system. If the adaptor is not fully seated in the connector, an electrical short may result across the connector pins. Depending on the over-current protection of the power supply, certain Mini PC components and/or traces may be damaged.

Getting to know your Mini PC

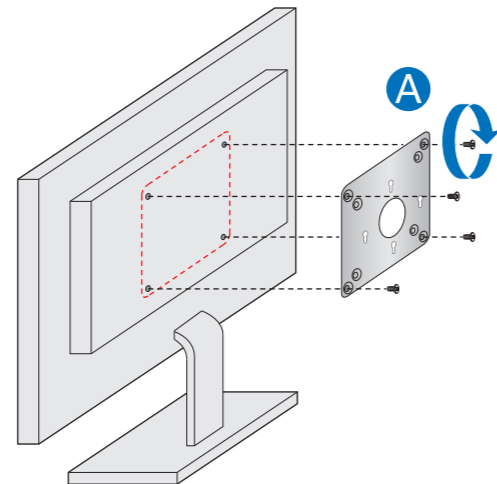


Attach and Use the VESA Bracket

Follow these instructions to attach and use the VESA bracket:

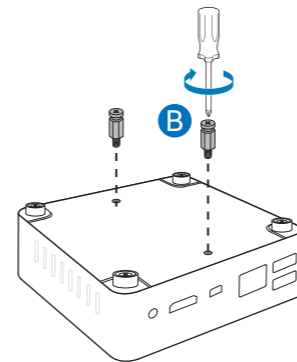
STEP 1

Using the four small black screws that were included in the box, attach the VESA bracket to the back of the monitor or TV.



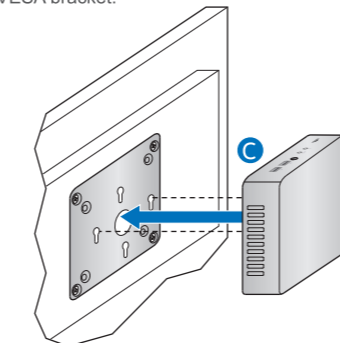
STEP B

Attach the two slightly larger screws to the bottom chassis cover of the Mini PC.



STEP C

Slide the Mini PC onto the VESA bracket.



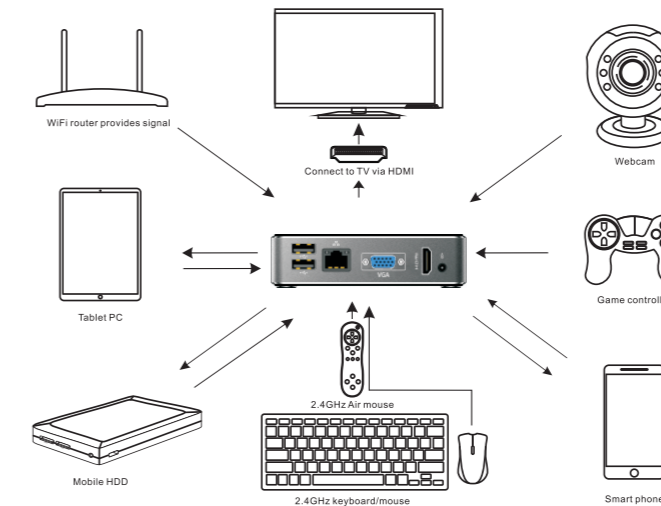
Start Up the Mini PC

STEP 1

Turn on the TV or monitor and change the video output to be HDMI mode.

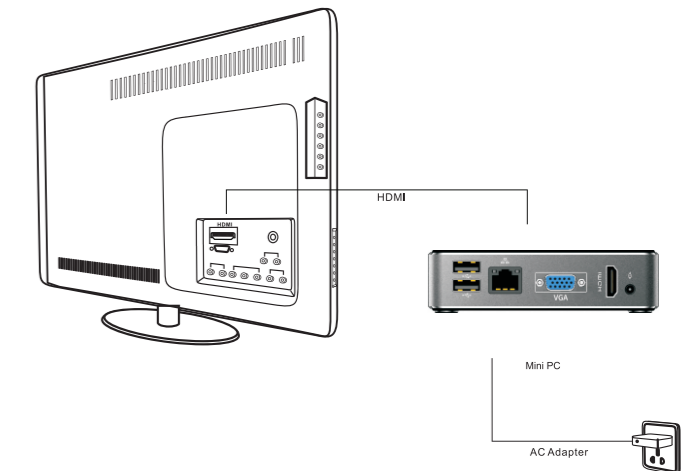
STEP 2

Connect the Mini PC to the HDMI connector of the TV or monitor with a HDMI cable.



STEP 3

Connect the power adaptor into the wall socket, and the other end into the DC port on the Mini PC.



STEP 4

Press the power button to start the systems.